

Relative and differential pressure transmitter type 692

Pressure range
0 ... 0.1 – 25 bar



Type 692 pressure transmitters have a unique, well proven ceramic technology. There are variety of pressure and electrical connections available, together with several standardised output signals. The wide variety of options makes these transmitters ideal for applications across a broad spectrum of industries.

- Very low temperature sensitivity
- High resistance to extreme temperatures
- No mechanical creepage
- Modular system and choice of materials to suit individual applications

Technical overview

Pressure range

Relative and differential 0 ... 0.1 – 25 bar

Operating conditions

Medium		Liquids and neutral gases
Temperature	Medium / ambient Storage	-15 ... +85 °C -40 ... +85 °C
Tolerable overload on one side		See order code selection table
System pressure	≤ 6 bar ≥ 10 bar	25 bar 50 bar
Rupture pressure		1.5x system pressure

Materials

Case		Stainless steel 1.4305 / AISI 303
Materials in contact with the medium	Pressure connection	Stainless steel 1.4305 / AISI 303, PVDF, CuZn nickel plated
	Sensor	ceramic Al ₂ O ₃ (96%)
	Sealing material	FPM, EPDM, NBR, MVQ

Electrical overview

	Output	Power supply	Load	Current consumption (at nominal pressure)
2 wire	4 ... 20 mA	11 ... 33 VDC	$\frac{\text{supply voltage} - 11 \text{ V}}{0.02 \text{ A}}$ [Ohm]	< 20 mA
3 wire	0 ... 5 V	11 ... 33 VDC / 24 VAC ±15%	>10 kOhm	< 5 mA
	0 ... 10 V ratiom. 10 ... 90%	18 ... 33 VDC / 24 VAC ±15% 5 VDC ±5%	>10 kOhm >10 kOhm	< 5 mA < 5 mA
Polarity reversal protection	Short circuit proof and protected against polarity reversal. Each connection is protected against crossover up to max. supply voltage.			

Dynamic response

Response time	< 5 ms
Load cycle	< 50 Hz

Protection standard

IP 65

Electrical connection

Connector DIN EN 175301-803-A

Connector DIN EN 60130-9

Cable 1.5 m PG7

Pressure connection

Pressure tube tip	Ø 4 mm
	Ø 6 mm
Screw fitting	Ø 6 mm
	Ø 8 mm
Outside thread	7/16"-20 UNF
	G 1/8"
Inside thread	1/8"-27 NPT
	G 1/8"

Mounting instruction

Installation arrangement	Unrestricted
Mounting	Mounting bracket

Tests / Admissions

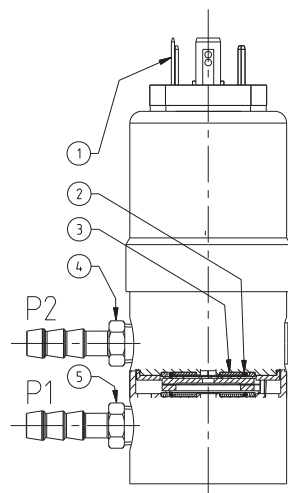
Electromagnetic compatibility	CE conformity acc. EN 61326-2-3
-------------------------------	---------------------------------

Weight

~ 430 g

Packaging

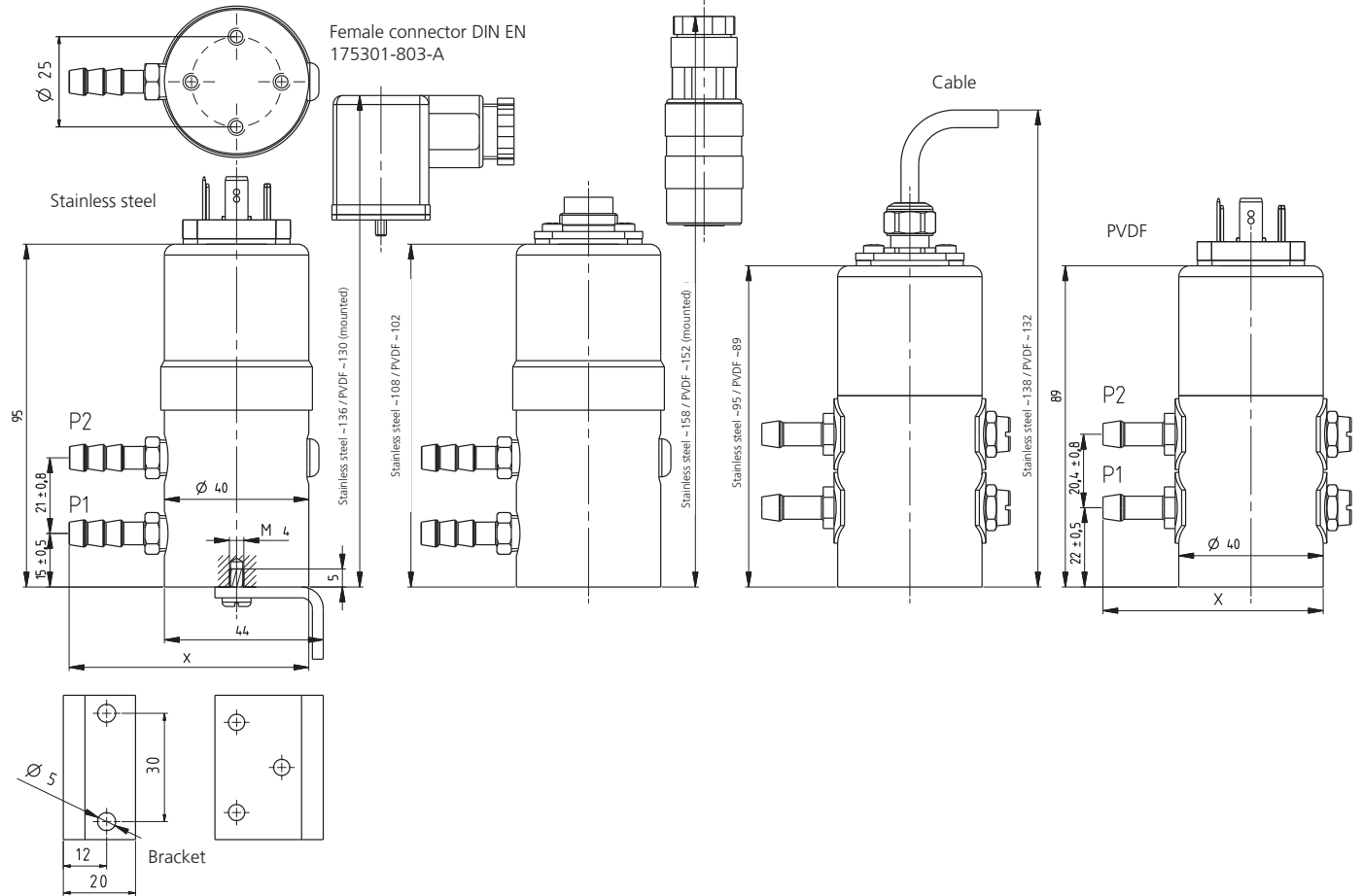
Single packaging in cardboard	accessories included
-------------------------------	----------------------



Legend to cross-section drawing

- 1 Electrical connection
- 2 Seals
- 3 Ceramic element
- 4 P2 Pressure connection (lower pressure)
- 5 P1 Pressure connection (higher pressure)

Female Connector
DIN EN 60130-9



	Stainless steel	Screw fitting for pipe outside Ø 6	L~24	a=10
	1.4305 AISI 303	Screw fitting for pipe outside Ø 8	X~65	b=12
	Stainless Steel	Inside thread G 1/8	L~12	a=14
	1.4305 AISI 303		X~53	
	CuZn nickel plated	Screw fitting for pipe outside Ø 6	L~24	a=10
		Screw fitting for pipe outside Ø 8	X~65	b=12
	CuZn nickel plated	Screw fitting for pipe outside Ø 6	L~25	a=12
		Screw fitting for pipe outside Ø 8	X~66	b=14
	CuZn nickel plated	Hose connection for tube Ø 4	L~20	a=10
	Stainless steel 1.4571 AISI 316Ti	Hose connection for tube Ø 6	X~61	
	CuZn nickel plated	Outside thread G 1/8	L~20	a=10
			X~61	b=12
	CuZn nickel plated	Outside thread 7/16-20 UNF	L~18	a=14
			X~59	
	PVDF	Screw fitting for pipe Ø 6	L~20	a=12
		Screw fitting for pipe Ø 8	X~61	b=12
	PVDF	Screw fitting for pipe Ø 6	L~23	a=14
		Screw fitting for pipe Ø 8	X~64	
	PVDF	Hose connection for tube Ø 6	L~20	a=10
			X~61	

